

Contents

Safety Information

Chapter 1: Understanding your amplifier

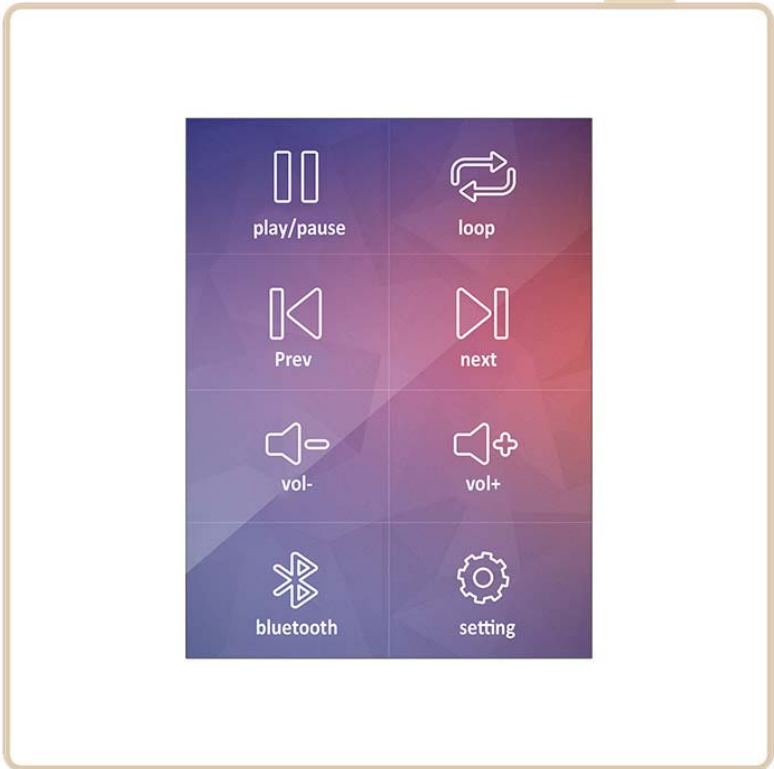
- 1.1 Features
- 1.2 Package Content
- 1.3 Wiring Instruction
- 1.4 Device Layout

Chapter 2: Installation

Chapter 3: Getting Started

- 3.1 Display
- 3.2 Turn ON/OFF the device
- 3.3 Setting
- 3.4 Music library
- 3.5 Bluetooth
- 3.6 Modify Bluetooth name and password

Chapter 4: Technical Parameters



Manual Instructions

BM212

Safety Information

1. Don't use this product in a wet environment.
2. The product applies to power supply AC100-250V, if you don't use it for a long time, please turn off the power.
3. Please make sure that the speaker line, power line, audio input line are connected correctly.
4. Don't open and repair the product by yourself.
5. If the product crashes, you can press the reset button in the lower left corner of the product to reset.

Chapter 1: Understanding your amplifier

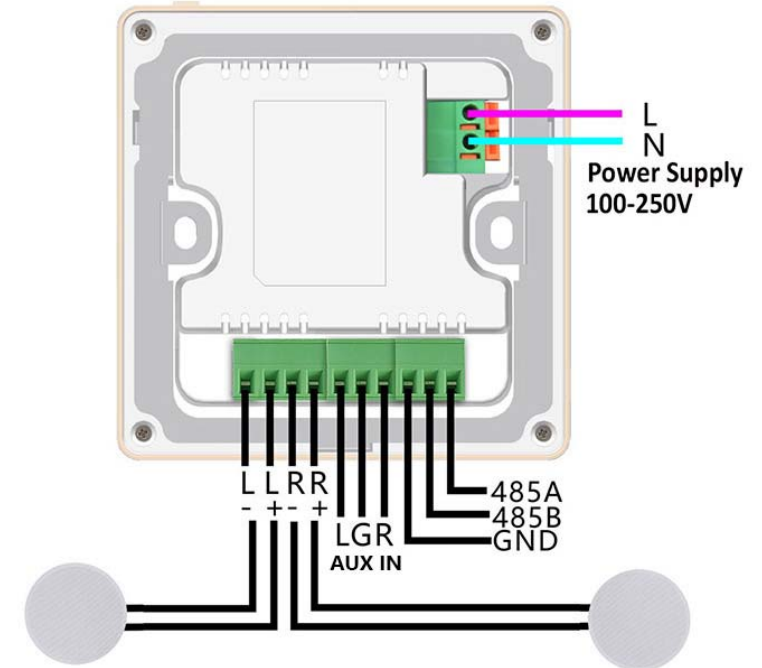
1.1 Features

1. 2.8-inch resistive touch screen.
2. Stereo Amplifier Module (2 x 20W max)
3. Bluetooth connectivity for wireless audio input of smart phone, pad, etc.
4. Adjustable Bluetooth name and password via USB by RS485.
5. 1 x Wired Audio Input (on rear PCB)
6. TF card player (at back of unit)
7. Set time to turn on device with music playing.
8. Support MP3, WMA, APE, FLAC, ACC, etc format.

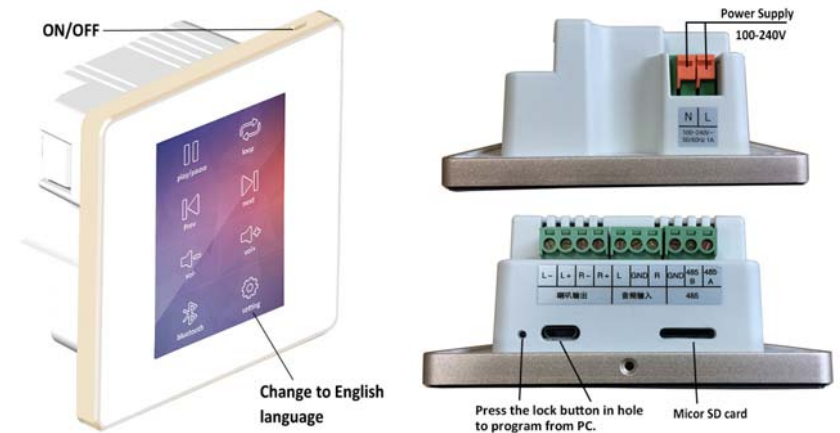
1.2 Package Content

- 1 x amplifier
- 2 x screws for mounting

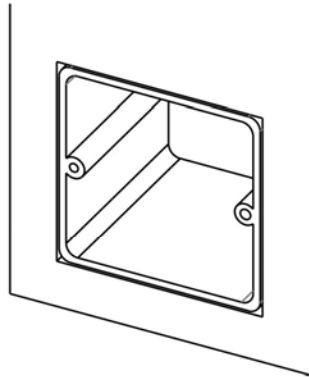
1.3 Wiring Diagram



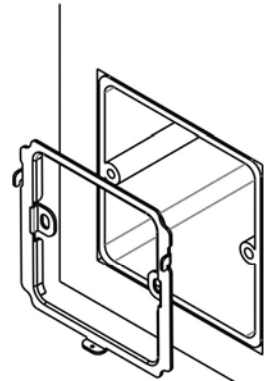
1.4 Device Layout



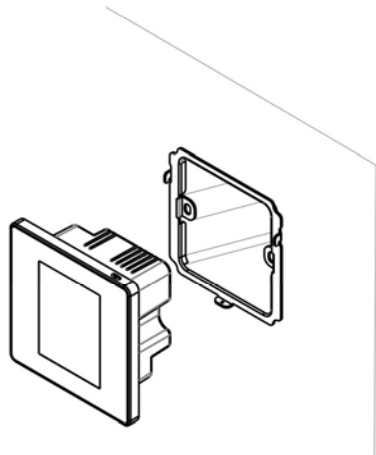
Chapter 2: Installation



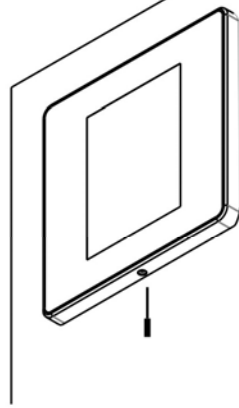
Put back box in wall and fix.



Fix the wall bracket on backbox with screws.



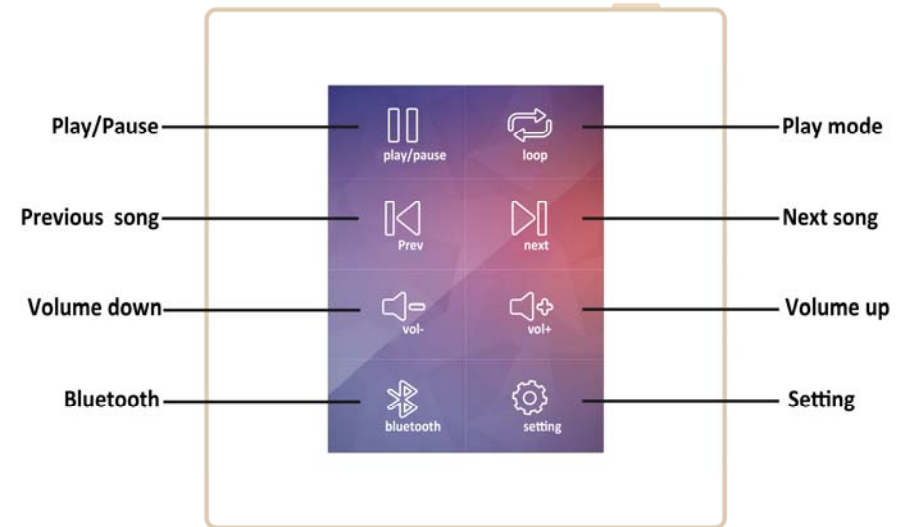
Hang the device on wall barcket



Tighten the screw at the bottom of device.

Chapter 3: Quick Start

3.1 Display



PLAY/PAUSE: Put TF card in device, default mode is pause on device. Press to play.

PLAY MODE: All repeat, play in order, shuffle, repeat one.

PREVIOUS SONG

NEXT SONG

VOLUME UP

VOLUME DOWN

BLUETOOTH: Pair with your mobile/pad to play music from your mobile/pad.

SETTING: Set with Music library, touch screen calibration, backlight, audio input, language, power on play

3.2 Turn ON/OFF the device

Long press ON/OFF button on device to turn on or off the device.

3.3 Setting

1. Other: It shows all the songs in TF card.
2. Touch Calibration: Press "+" on screen to adjust.
3. Backlight status: to turn on/off the screen saving page.
4. AUX: to choose audio input to play
5. Language: to change language
6. Power on play: Enable or disable the function.

3.4 Music Library

1. All the songs need to be at the root of TF card.
2. Support MP3, WAV, APE, FALC, AAC, etc format

3.5 Bluetooth

Enter Bluetooth function, search Bluetooth name in your mobile/pad.
The default name is 8888. Pair with it. The default password is 8888.
Play music from mobile or pad directly.

3.6 Modify Bluetooth name and password

Bluetooth modification instructions: use 485 tools to modify the Bluetooth name and password: 485 logic protocol analysis

1. Each communication to send a string of data, packet header, data, frame tail. As follows:

Start character	ID number	Data Length	Packet	Check Code	End Character
1 byte	2 bytes	1 byte	<12 bytes	1 byte	1 byte

2. Start character (1 bit) ID number (2 bits) Data length (1 bit) Packet (instruction + parameter) (Less than 12 bits) Check code (1 bit) End character (1 bit)

Check bit (and check) = ID number + data length + data instruction + parameter

3. Host ID modification

FA 00 00 03 6A + 00 02 (ID to be modified) 6F FE

Start character ID number data length instruction + packet (less than 12 bytes) check code end character

4. Bluetooth Modification Name and Password: Format Unicode

Set the Bluetooth name:

FA 00 00 05 70 + 41 42 43 44 (Name to be modified) F9 FE

Start character ID number data length instruction + packet (less than 12 bytes) check code end character

Set the Bluetooth password:

FA 00 00 05 72 + 41 42 43 44 (Password to be modified) F9 FE

Start character ID number data length instruction + packet (less than 12 bytes) check code end character

Chapter 4: Technical Parameters

2.8-inch resistive touch screen

Power Supply: AC100-240V

Output Power: 20W+20W (Max)

Input Impedance: 10KΩ

Output Impedance: 4-8Ω

THD: 0.03%

Frequency response: 20Hz-20KHz

Bluetooth Transmission Distance: ≤ 15M

Product size: 86 x 86 x 42mm